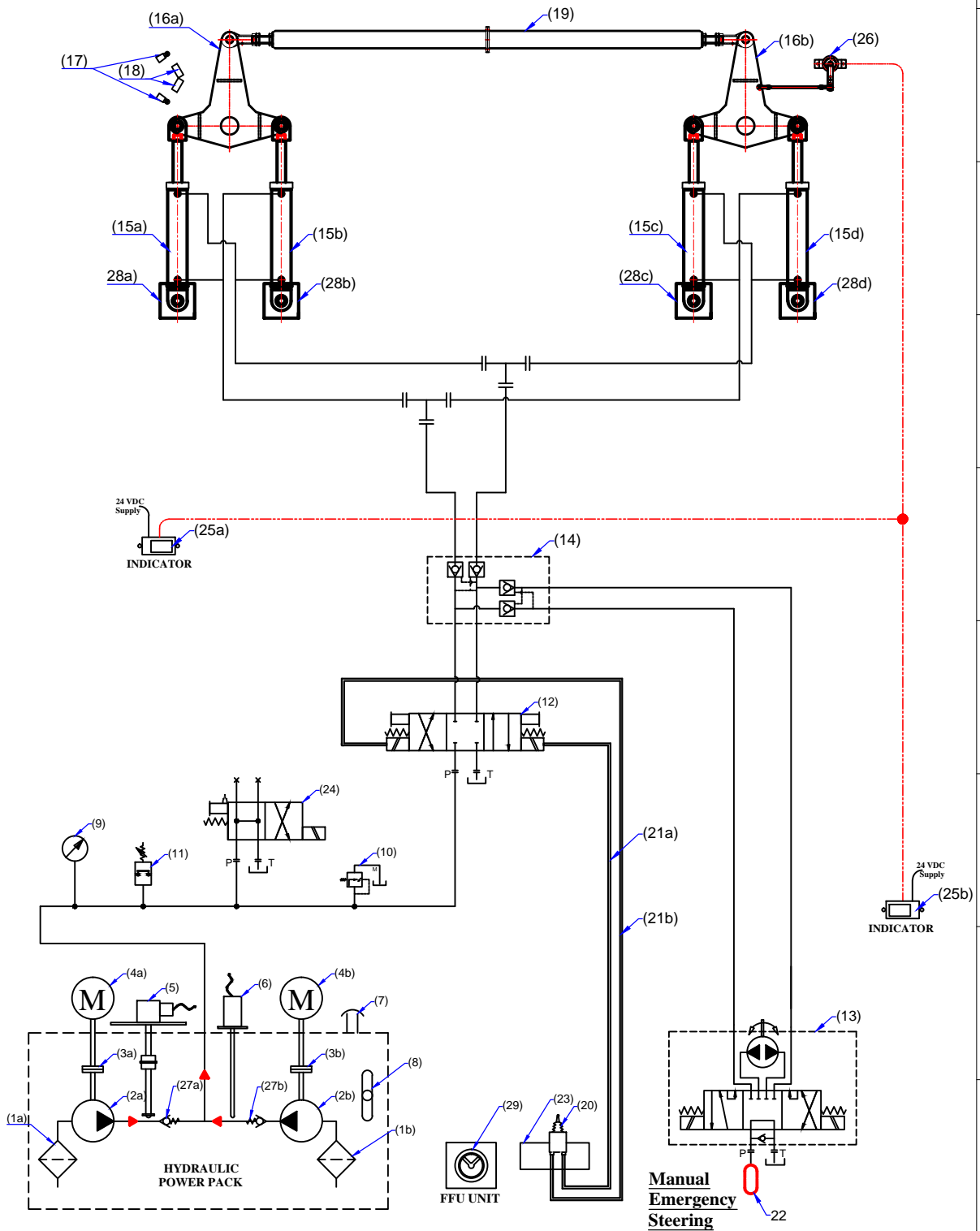


Electro - Hyd. - JumboZ-2800 - 2x 2



**MAC ♦ N ♦ HOM SYSTEMS
KOCHI - 20**

DESIGNATION

DWG. No.

DATE

CONNECTION ROD
SYNCHRONISATION

MHS-4122 - 1/2

21.05.2024

A

B

C


D

E

F

G

H

	A	B	C	D	E	F	G	H																																																													
1	<u>ELECTRO - HYDRAULIC CIRCUIT</u> <u>SYSTEM PARAMETERS</u>								1																																																												
2									2																																																												
3	1. PUMP CAPACITY Discharge : 27Lpm. Max. Pressure : 200kg/cm²								3																																																												
4	2. HYDRAULIC CYLINDER Model : JumboZ -2800 Stroke : 440mm. Ram : 50mm. Operating Pressure : 70kg./cm²								4																																																												
5	3. HELM STEERING WHEEL Diameter : 686mm. (27")								5																																																												
6	4. HYDRAULIC HOSE Grade : R1 ID : 1/2"								6																																																												
7	5. ELECTRIC MOTOR 5HP, 1440RPM, 50Hz.3Phase.								7																																																												
8									8																																																												
9									9																																																												
10									10																																																												
	LEGENDS:																																																																				
					<table border="1"> <thead> <tr> <th>Sl No.</th> <th>Description</th> </tr> </thead> <tbody> <tr><td>1a,1b.</td><td>Suction Strainer</td></tr> <tr><td>2a,2b.</td><td>Hydraulic pump</td></tr> <tr><td>3a,3b.</td><td>Flexible Coupling</td></tr> <tr><td>4a,4b.</td><td>Electric Motor</td></tr> <tr><td>5</td><td>Oil Level Sensor</td></tr> <tr><td>6</td><td>Oil Temp. Sensor</td></tr> <tr><td>7</td><td>Filler Breather</td></tr> <tr><td>8</td><td>Dip Stick</td></tr> <tr><td>9</td><td>Pressure Gauge</td></tr> <tr><td>10</td><td>Pr.Relief Valve</td></tr> <tr><td>11</td><td>Pre.Switch,Low Pre.Alam</td></tr> <tr><td>12</td><td>Sol.Ope.Directiona Valve</td></tr> <tr><td>13</td><td>Emergency Manual Pump</td></tr> <tr><td>14</td><td>Pilot Operated Check Valve</td></tr> <tr><td>15a,15b, 15c,15d</td><td>Hyd. Actuator</td></tr> <tr><td>16a,16b</td><td>Tiller Arm</td></tr> <tr><td>17</td><td>Limit Switch</td></tr> <tr><td>18</td><td>Mechanical Stopper (Yard Supply)</td></tr> <tr><td>19</td><td>Connection Rod (Yard Supply)</td></tr> <tr><td>20</td><td>Joy Stick</td></tr> <tr><td>21a,21b</td><td>Ele.Line to Sol.Ope.Valve</td></tr> <tr><td>22</td><td>Reservoir</td></tr> <tr><td>23</td><td>Steering Gear Control Panel</td></tr> <tr><td>24</td><td>Unloading Valve</td></tr> <tr><td>25a,25b</td><td>Rudder Angle Indicator</td></tr> <tr><td>26</td><td>Rudder Angle Sensor</td></tr> <tr><td>27</td><td>Non-return Valve</td></tr> <tr><td>28a,28b</td><td>Rear End Bkt.</td></tr> <tr><td>29</td><td>FFU Unit</td></tr> </tbody> </table>					Sl No.	Description	1a,1b.	Suction Strainer	2a,2b.	Hydraulic pump	3a,3b.	Flexible Coupling	4a,4b.	Electric Motor	5	Oil Level Sensor	6	Oil Temp. Sensor	7	Filler Breather	8	Dip Stick	9	Pressure Gauge	10	Pr.Relief Valve	11	Pre.Switch,Low Pre.Alam	12	Sol.Ope.Directiona Valve	13	Emergency Manual Pump	14	Pilot Operated Check Valve	15a,15b, 15c,15d	Hyd. Actuator	16a,16b	Tiller Arm	17	Limit Switch	18	Mechanical Stopper (Yard Supply)	19	Connection Rod (Yard Supply)	20	Joy Stick	21a,21b	Ele.Line to Sol.Ope.Valve	22	Reservoir	23	Steering Gear Control Panel	24	Unloading Valve	25a,25b	Rudder Angle Indicator	26	Rudder Angle Sensor	27	Non-return Valve	28a,28b	Rear End Bkt.	29	FFU Unit
Sl No.	Description																																																																				
1a,1b.	Suction Strainer																																																																				
2a,2b.	Hydraulic pump																																																																				
3a,3b.	Flexible Coupling																																																																				
4a,4b.	Electric Motor																																																																				
5	Oil Level Sensor																																																																				
6	Oil Temp. Sensor																																																																				
7	Filler Breather																																																																				
8	Dip Stick																																																																				
9	Pressure Gauge																																																																				
10	Pr.Relief Valve																																																																				
11	Pre.Switch,Low Pre.Alam																																																																				
12	Sol.Ope.Directiona Valve																																																																				
13	Emergency Manual Pump																																																																				
14	Pilot Operated Check Valve																																																																				
15a,15b, 15c,15d	Hyd. Actuator																																																																				
16a,16b	Tiller Arm																																																																				
17	Limit Switch																																																																				
18	Mechanical Stopper (Yard Supply)																																																																				
19	Connection Rod (Yard Supply)																																																																				
20	Joy Stick																																																																				
21a,21b	Ele.Line to Sol.Ope.Valve																																																																				
22	Reservoir																																																																				
23	Steering Gear Control Panel																																																																				
24	Unloading Valve																																																																				
25a,25b	Rudder Angle Indicator																																																																				
26	Rudder Angle Sensor																																																																				
27	Non-return Valve																																																																				
28a,28b	Rear End Bkt.																																																																				
29	FFU Unit																																																																				
	MAC ♦ N ♦ HOM SYSTEMS KOCHI - 20				DESIGNATION CONNECTION ROD SYNCHRONISATION		DWG. No. MHS-4122-2/2	DATE 21.05.2024																																																													
	 A	B	C	D	E	F	G	H																																																													